

EDN - "U" LEG assembly instructions

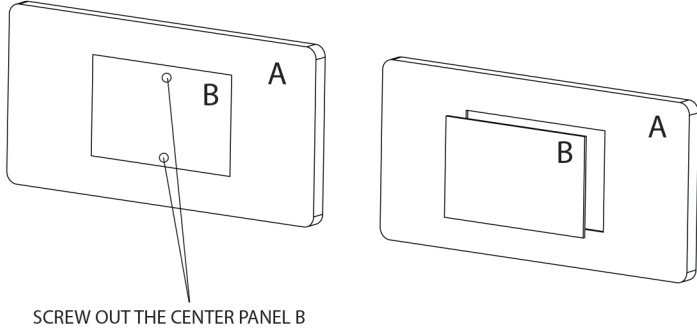
PARTS LIST

A	TABLE TOP	1PC
B	CENTER PANEL	1PC
C	TABLE LEG	1PC

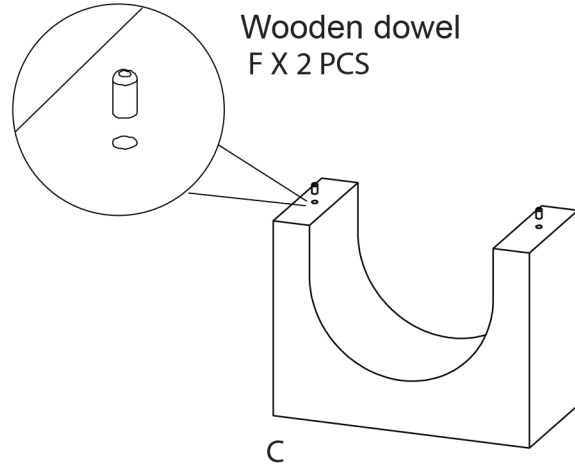
HARDWARE LIST

D	32MM PANHEAD CHIPBOARD SCREW		8 PC
E	32MM FLATHEAD CHIPBOARD SCREW		12 PC
F	M6 X 25MM WOODEN DOWEL		2 PC

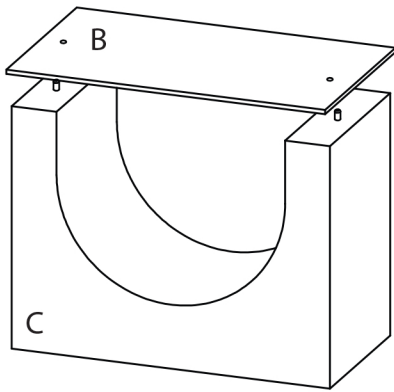
1



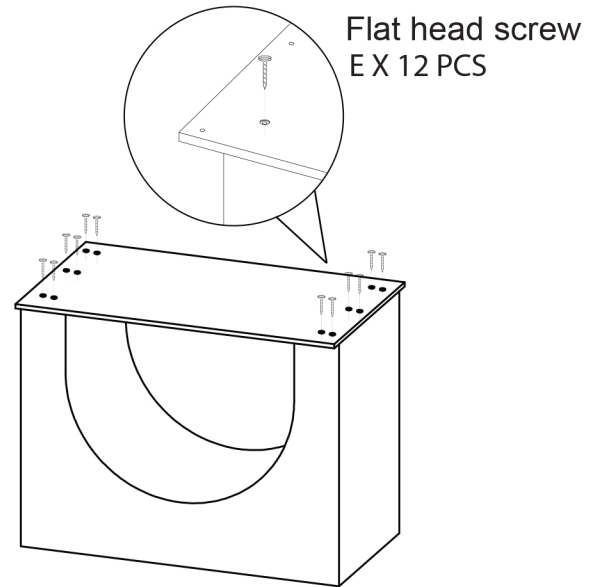
2



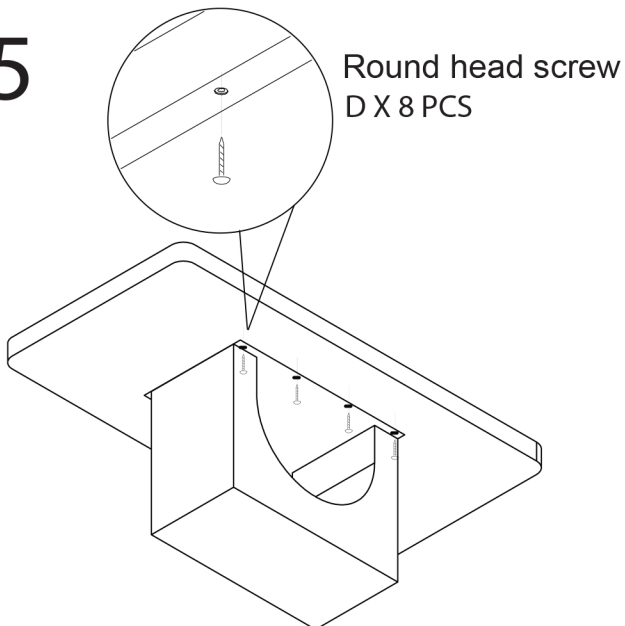
3



4



5



6

