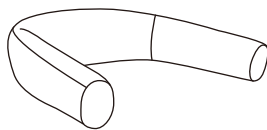
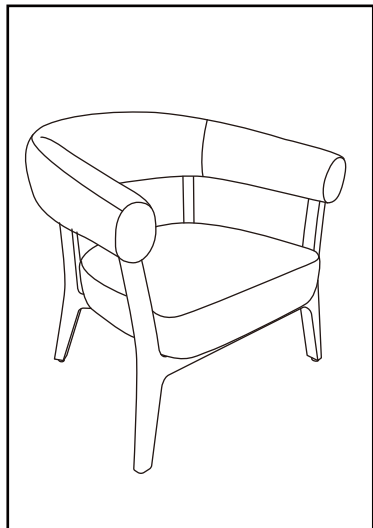
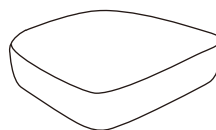


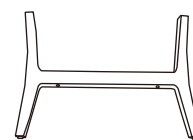
SURIN 403-123
 ASSEMBLY INSTRUCTIONS
 INSTRUCTION D' ASSEMBLAGE



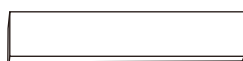
1



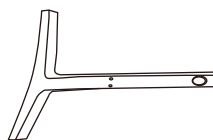
2



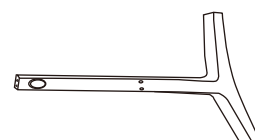
3



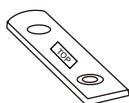
4



5



6



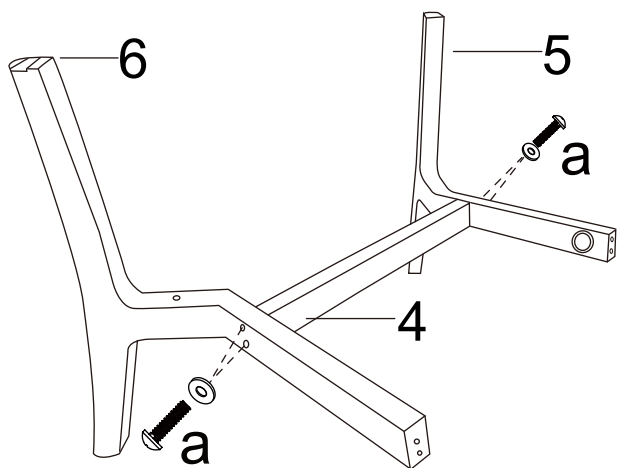
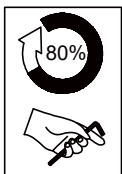
7

TURN TOP UPSIDE DOWN ON A SOFT WORKING SURFACE.

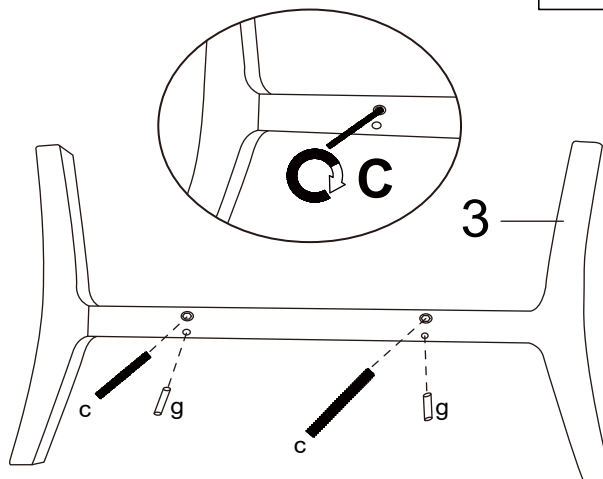
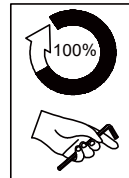
RETOURNEZ LE MEUBLE DANS L' AUTRE SENS SUR UNE SURFACE DE TRAVAIL NON RIGIDE.

<p>a M6*40MM+M6*14*1MM</p> <p>4+1pcs</p>	<p>b M6*50MM+M6*14*1MM</p> <p>4+1pcs</p>	<p>c M6*70MM</p> <p>2+1pcs</p>	<p>d M6*25MM</p> <p>4+1pcs</p>	<p>e M6*30MM</p> <p>4+1pcs</p>
<p>f</p> <p>M6*10MM</p> <p>2+1pcs</p>	<p>g M8*40MM</p> <p>2+1pcs</p>	<p>h</p> <p>10MM</p>	<p>i</p> <p>M4-M6</p>	

STEP 1/ETAPE 1

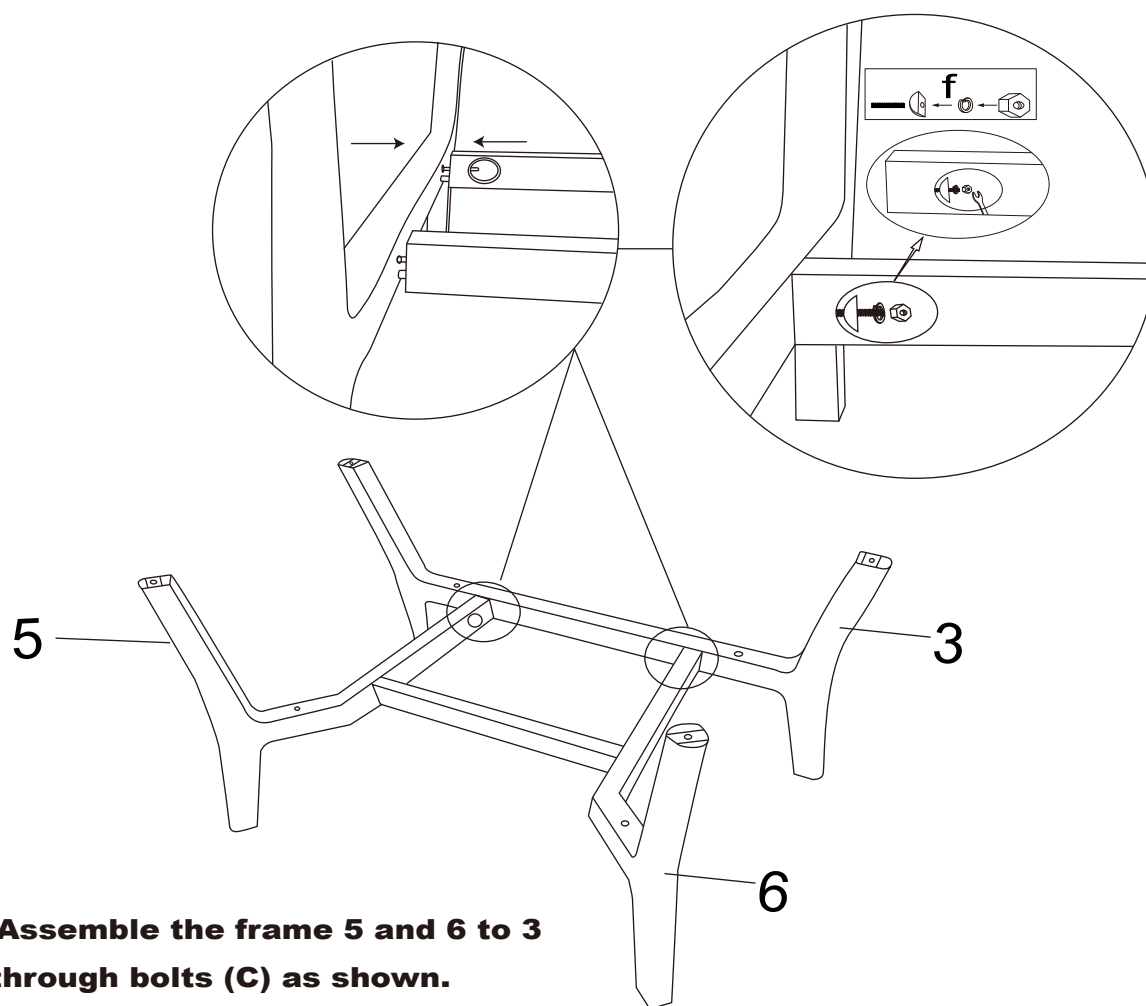
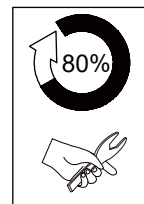


STEP 2/ETAPE 2



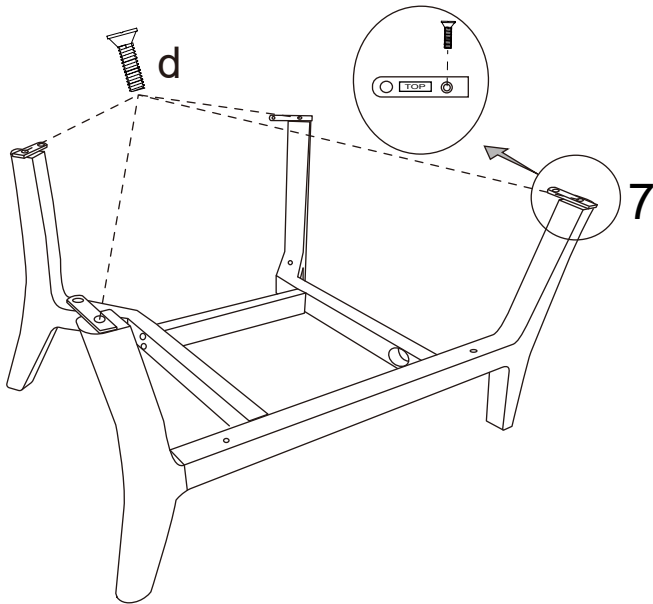
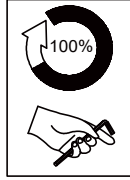
Assemble 2 Bolts (c)
into the screw holes

STEP 3/ETAPE 3

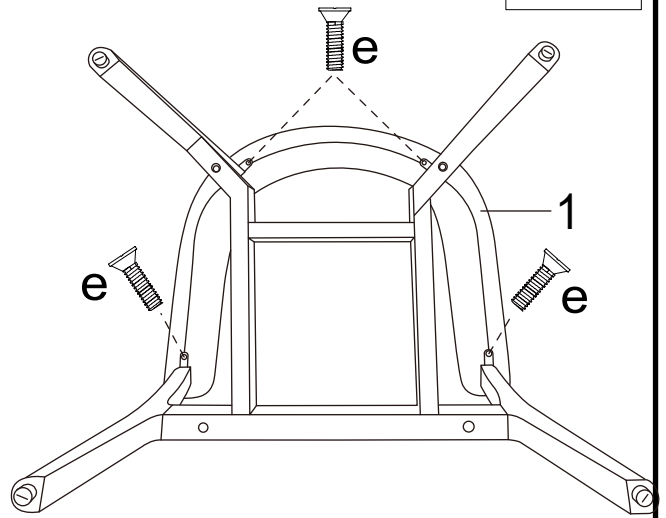
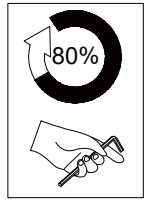


Assemble the frame 5 and 6 to 3
through bolts (C) as shown.

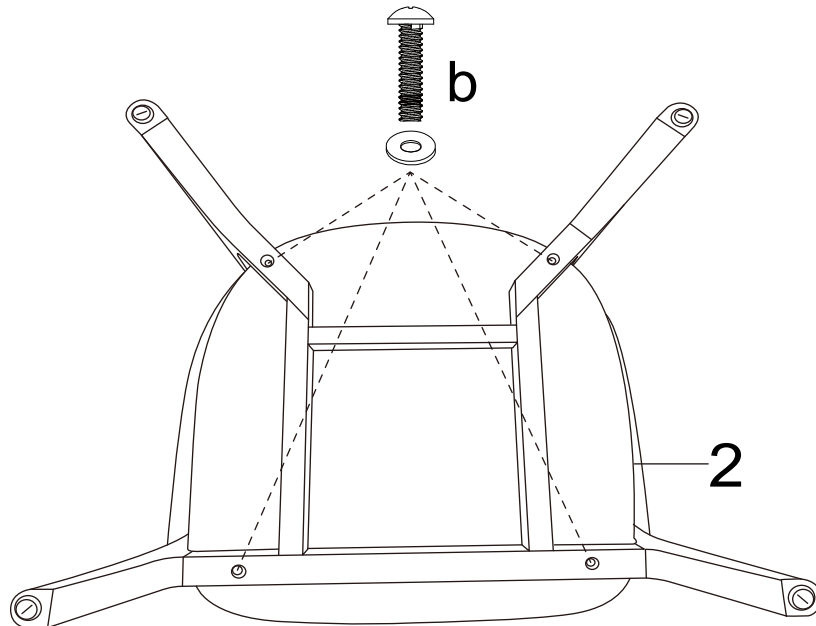
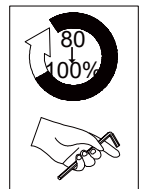
STEP 4/ETAPE 4



STEP 5/ETAPE 5



STEP 6/ETAPE 6



Fasten All screws indicate on Step 1 and Step 3 and Step 5.

STEP 7/ETAPE 7

